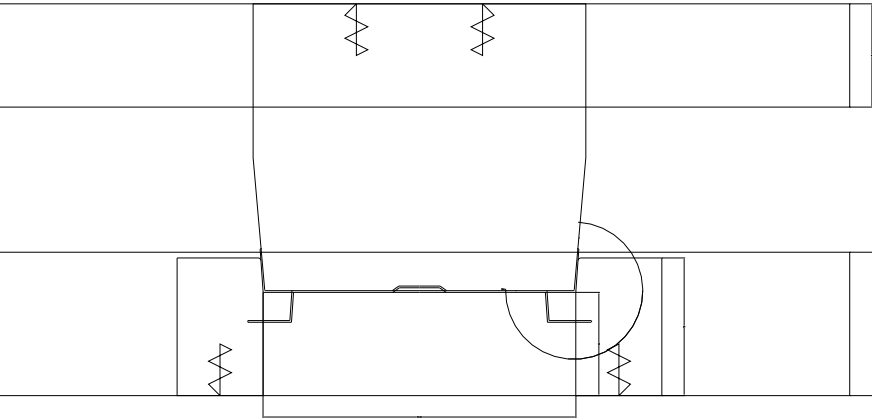
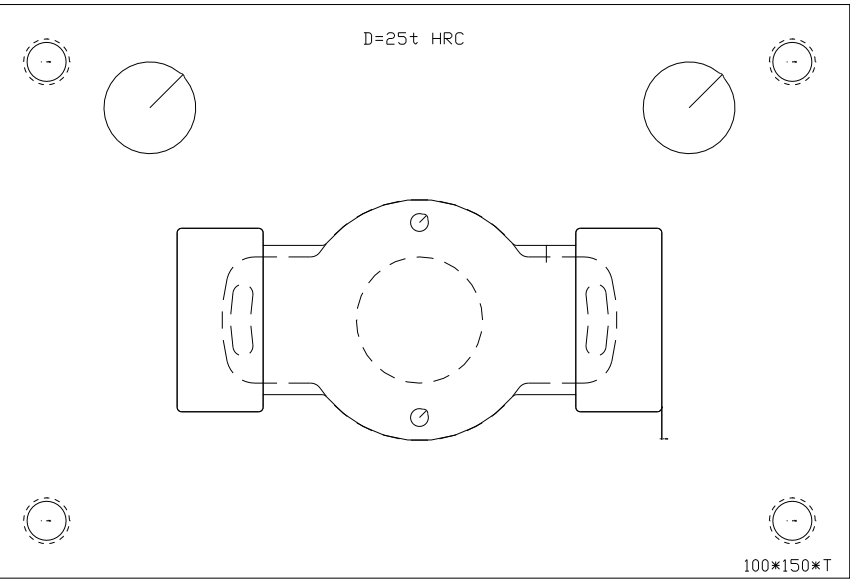
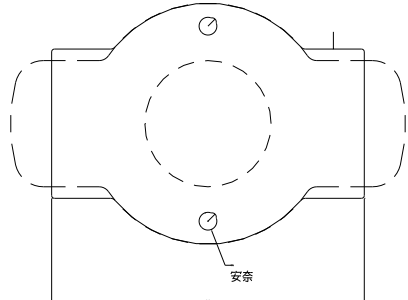


D=25t HRC



KD
18t HRC
足



PH=18t S50C

